



7277 Hidden Valley Dr.  
Lambertville, MI 48144  
866-37SINKS  
[sales@globalbuildersupply.com](mailto:sales@globalbuildersupply.com)  
[www.globalbuildersupply.com](http://www.globalbuildersupply.com)

# Sink User's Manual

## Contents:

Limited Lifetime Warranty.....	Page 3
Care and Cleaning Guide.....	Page 4
Installation Guide.....	Page 5
Required Tools and Materials.....	Page 6
Contact Information.....	Page 6

## **Limited Lifetime Warranty-**

GBS products are guaranteed to be free from defects in materials and workmanship.

GBS sinks have been designed and engineered to resist scratches and stains when used properly. The durable finish will resist food acids and should not stain under normal kitchen use.

GBS sinks are fully protected by heavy duty sound guard undercoating. GBS sinks are designed to accept waste disposer.

GBS replaces the defective sink without any charge when presented to the selling distributor, together with your proof of purchase during the warranty period.

GBS warranty excludes any labor charges, removal and reinstallation expense, freight or postage, or any incidental or consequential damages resulting from any defective product.

GBS warranty shall be voided by any of the following:

- Improper installation, care or cleaning of the sink contrary to the user's manual.
- Modification

## Care and Cleaning Guide-

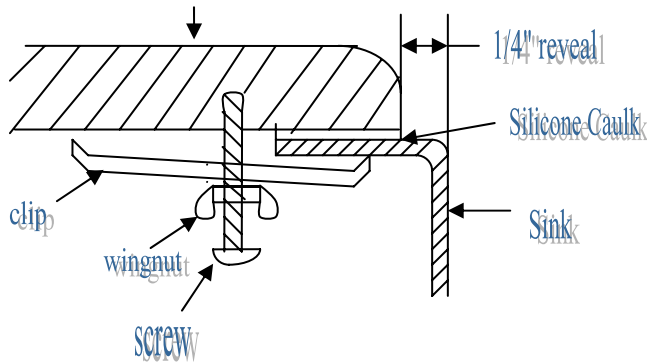
Your GBS sink is made from the finest nickel bearing stainless steel. Its beautiful finish becomes lovelier with use and age, and more, the careful polishing makes GBS sink so easy to clean and maintain.

GBS recommends:

- Rinse the sink immediately and thoroughly after every use. This will remove the chlorides residue and keep your sink bright and shiny. Chlorides, which are found in most all soap, detergents, bleaches and cleansers, can be aggressive to stainless steel.
- Wipe with a soft cloth or sponge.
- Towel dry after every use to prevent mineral deposits.
- Remove the rubber mats and dishpans after every use, since they can make the sink surface rust and possible pit.
- Never leave the wet cloth, sponge, and any other cleaning pad on the sink, since these things can lead to the sink surface rusting.
- Never use a steel pad or any other metallic brush tools to clean your sink, since these steel or metal particles can be imbedded in the surface of the sink.
- Never leave the foods and any other things (containing high level of salt) on the sink surface for extended periods of time, since the salt is very aggressive on the stainless steel. The salt can cause the sink surface to pit and rust.

Following the above mentioned recommendations, you will surely make your GBS sink look just like new after many years of service.

## Installation guide-



### Installation Profile of GBS sinks

Note: - When installing your GBS sink, please double check style and size before cutting board.

- If you mount your GBS sink to granite or marble countertop, please contact your fabricator for proper installation requirements. Some other restrictions may be required.
- Always use the physical sink to get an accurate cut out; the template is only supplied for a guide.

The procedures for under-mounting to solid surfacing materials are as following:

1. Locate center of bowl over base cabinet and calculate center. Use framing square, draw line on counter top to locate center of bowl. Mark center bowl location on line.
2. Locate the set back as desired for over or under hang of counter. This dimension will vary depending on overhang style chosen, type of bowl used and size of sink deck.
3. Make paper template and transfer to 3/8" or 1/2" plywood. Draw template on plywood and increase template size by 1/16" to allow 5/8" template guide at bottom of router. Cut template.
4. Secure template to countertop using 6" bar clamps. Place router over wood cutout and cut hole. Make sure router cut follows edge of template.

5. After hole is cut, sand the opening with appropriate grit sand paper and finish cut surface as required.
6. Drill holes through the deck of sink rim at locations necessary to provide solid support. This should include holes in each corner and at front and rear center locations.
7. Clean bottom of countertop and top flange of sink with denatured alcohol and apply a narrow bead of silicone adhesive sealant to top edge of bowl flange and position bowl.
8. Mount sink by placing appropriate screws through the holes drilled into the sink rim and tighten as necessary to secure sink to countertop. Additional holes drilled if needed.
9. Clean off excess silicone from countertop and sink.

Important: Use plumbers putty when installing the sink basket strainers should use plumber's putty.

### **Required Tools and Materials-**

- Under mount paper template (supplied by GBS)
- Under mount clips (supplied by GBS)
- Silicone adhesive sealant.
- Eye and ear protection is always recommended
- Screw Driver and Hammer
- Tape Measure
- Denatured alcohol
- Framing Square
- Drill and 1/4" bit
- Sand paper
- Pencils
- 2 Bar Clamps
- Router
- Wing nuts

### **Contact Information-**

Global Builder Supply  
7277 Hidden Valley Drive  
Lambertville, MI 48144  
Phone: 866-377-4657  
Fax: 734-854-3470